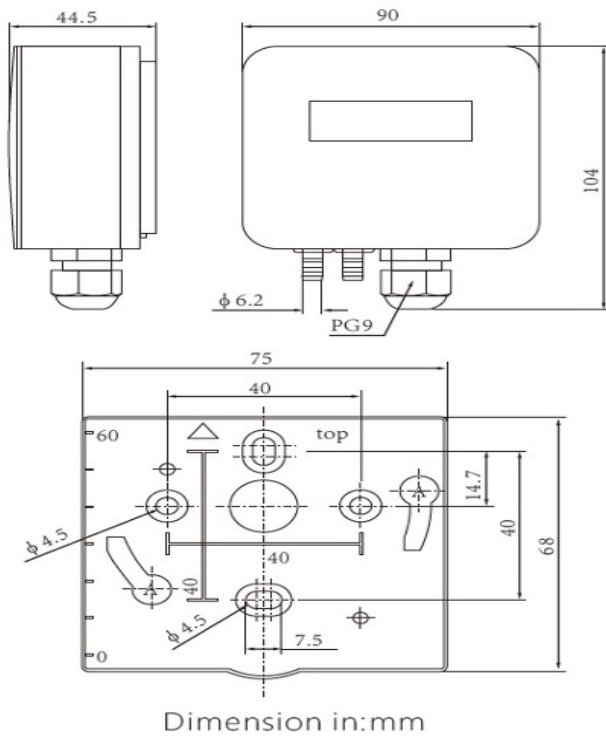


DPT11.. Differential pressure transmitter

Differential pressure transmitters DPT11.. are engineered for building automation in the HVAC/R industry, pressure and flow monitoring, and low differential pressure test in industry application.



Technical Data

- Range : 0 ~ ±10Pa/0 ~ ±10,000Pa
- Accuracy : ±1.0%
- Supply Voltage : 16 ~ 30VAC/VDC (2-wire)
- Output signal : 0~5VDC, 0~10VDC, 4~20mA
(both 2- wire and 3-wire available)
- Selectable pressure measuring unit
- LCD back lit digital display or without display
- Auto zero point when power on
- Selectable response time field adjustable from 20mS ~2S
- Manual zero point push button
- Easy installation

Pressure range table

Pressure	Unidirectional pressure	Bidirectional pressure
-100 ~ +100Pa	0~10Pa	-5.0 ~ +5.0 Pa
	0~25Pa	-12.5 ~ +12.5 Pa
	0~50Pa	-25.0 ~ +25.0 Pa
	0~75Pa	-37.5 ~ +37.5 Pa
	0~100Pa	-50.0 ~ +50.0 Pa
-1000 ~ +1000 Pa	0~100Pa	-50 ~ +50 Pa
	0~250Pa	-125 ~ +125 Pa
	0~500Pa	-250 ~ +250 Pa
	0~750Pa	-375 ~ +375 Pa
	0~1000Pa	-500 ~ +500 Pa
-10,000 ~ +10,000 Pa	0~1000Pa	-500 ~ +500 Pa
	0~2500Pa	-1250 ~ +1250 Pa
	0~5000Pa	-2500 ~ +2500 Pa
	0~7500Pa	-3750 ~ +3750 Pa
	0~10,000Pa	-5000 ~ +5000 Pa

Specification

Accuracy	±1.0%FS, ±0.5%FS	
Pressure unit	Pa, mmH ₂ O, mbar, inWG, mmHG, daPa, KPa, hPa	
Output signal	0~5/10VDC and 4~20mA simultaneous output , 4~20mA (2-wire) , 0~5VDC (3-wire) , 0~10 VDC (3-wire)	
Supply voltage	16~30VDC/16~30VAC	
Power consumption	1.5W	
Response time	20mS, 0.5S, 1S, 2S	
Resolution	DPT110	1Pa, 1mmH ₂ O, 0.01mbar, 0.004inWG, 0.007mmHG, 0.1daPa, 0.001KPa, 0.01hPa
	DPT112	
	DPT116	0.1Pa, 0.01mmH ₂ O, 0.001mbar, 0.01 daPa, 0.001 hPa
Zero point adjustment	Automatic with auto zero element or with push button	
Measuring unit	Air and neutral gas	
Ambient temperature	-10 ~ 60°C	
Protection standard	IP54	
Over pressure capacity	Range	Capacity
	-1000 ~ +1000Pa	-15,000 ~ +15,000Pa

-10,000 ~ +10,000Pa	-150,000 ~ +150,000Pa
-100 ~ +100Pa	-4500 ~ +4500Pa

Order Ref table

